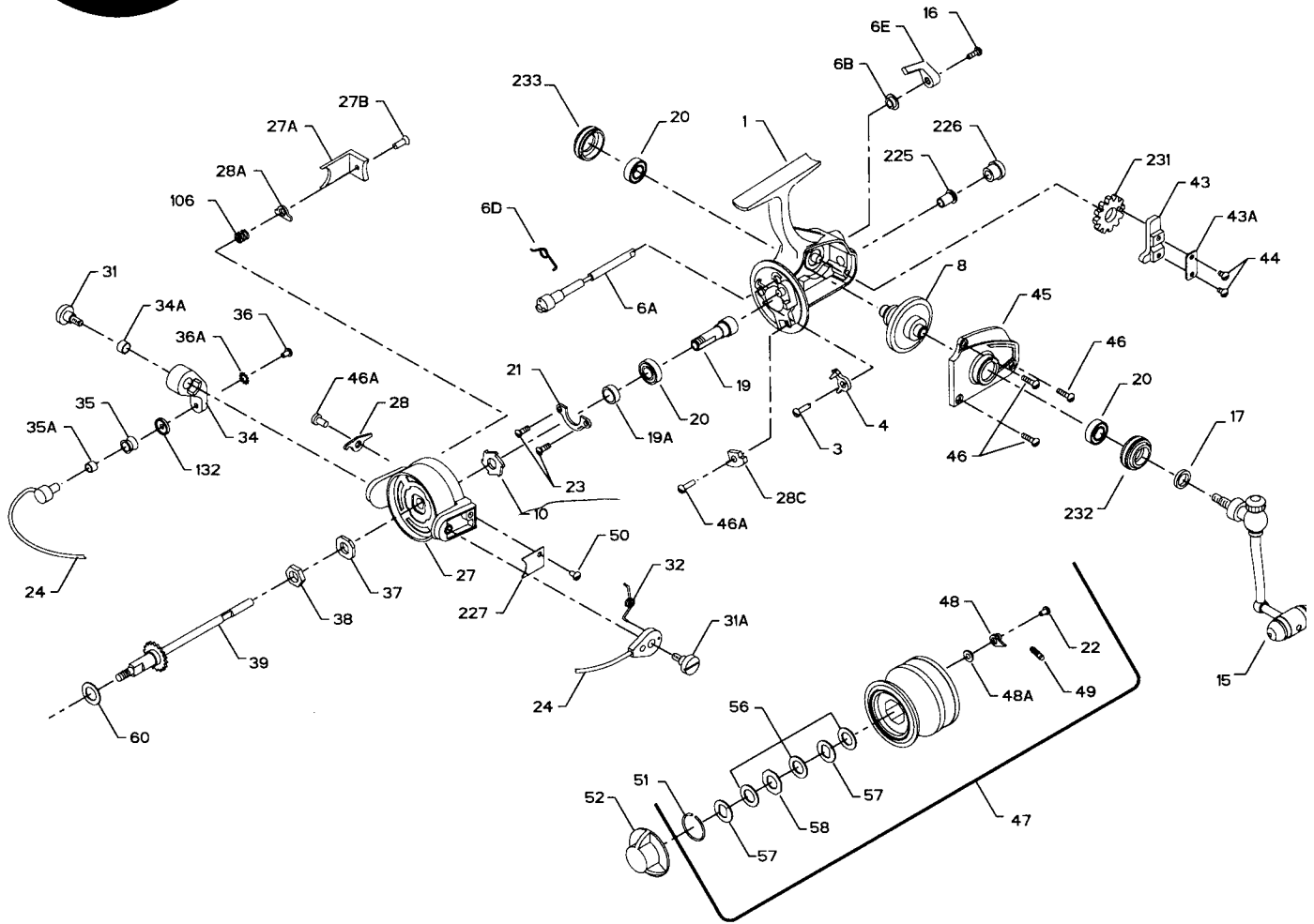




PARTS AND PRICE LIST FOR MODEL 450SS



Key No.	Part No.	Description	Price	Key No.	Part No.	Description	Price
1	1-450	Housing	\$16.90	35A	35A-704	Line Roller Bushing	.45
3	3-750	Dog	.80	36	36-750	Bail Stud Screw	.45
4	4-450	Dog	.90	36A	36A-750	Lock Washer	.45
6A	6A-450	Eccentric	1.15	37	37-450	Rotor Washer	.50
6B	6B-750	Eccentric Liner	.45	38	38-550	Rotor Nut	.50
6D	6D-710	Eccentric Spring	.45	39	39-450	Crosswind Shaft	6.05
6E	6E-750	Eccentric Lever	.90	43	43-550	Crosswind Block	2.05
8	8-450	Main Gear	12.60	43A	43A-550	Crosswind Block Plate	.50
10	10-550	Ratchet	1.10	44	22-750	Crosswind Block Screw (2 req.)	.45
15	15-450	Handle	13.15	45	45-450	Housing Cover	3.25
16	16-910	Eccentric Screw	.50	46	46-750	Cover Screw (3 req.)	.45
17	17-450	Seal Washer	.45	46A	46A-704	Trip Cam Screw	.45
19	19-450	Pinion	5.05	47	47-450	Spool (Complete)	18.00
19A	19A-550	Pinion Spacer	.80	48	48-450	Click Tongue	.45
20	20-722	Ball Bearing	12.95	48A	48A-750	Click Tongue Washer	.50
21	21-450	Bearing Cover	.90	49	49-710	Click Tongue Spring	.45
22	22-750	Spool Click Screw	.45	50	50-712	Bail Spring Cover Screw	.50
23	23-750	Bearing Cover Screw (2 req.)	.45	51	51-710	Retaining Ring	.40
24	24-450	Bail Wire	8.80	52	52-550	Drag Knob	5.05
27	27-450	Rotor	9.90	56	56-710	Drag Washer-HT100	.70
27A	27A-450	Bail Trip Cover	1.10	57	57-720	Metal Slot Washer	.45
27B	27B-450	Rotor End Screw	.50	58	58-710	Metal Washer (Octagon)	.45
28	28-450	Trip Lever	1.50	60	60-450	Thrust Washer (Teflon®)	.60
28A	28A-450	Cam Lever	1.60	106	106-450	Lever Spring	.50
28C	28C-450	Trip Cam	.95	132	132-450	Roller Washer	.80
31	31-550	Bail Arm Screw	1.00	225	225-550	Crosswind Shaft Bushing	1.10
31A	31A-450	Trip Arm Screw	.45	226	226-450	Bushing Cap Cover	1.00
32	32-450	Bail Spring	.90	227	227-450	Bail Spring Cover	.50
34	34-450	Bail Arm	2.05	231	231-450	Crosswind Gear	1.70
34A	34A-550	Bail Arm Bushing	.45	232	232-650	Bearing Cover (Open)	2.15
35	35-704	Line Roller	3.70	233	233-650	Bearing Cover (Closed)	2.15